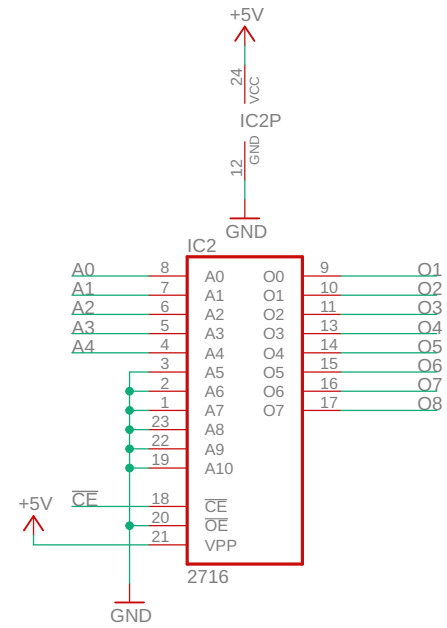
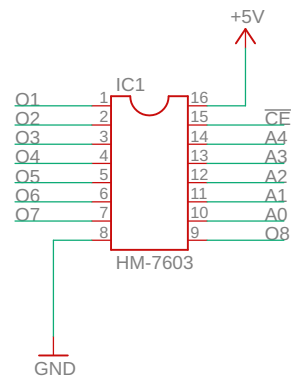


HM-7603 PINOUT



HM7603 PROM TO 2716 ADAPTER

TITLE: 7603-2716-v2

Document Number:

REV:

Date: 08/02/22 18:59

Sheet: 1/1